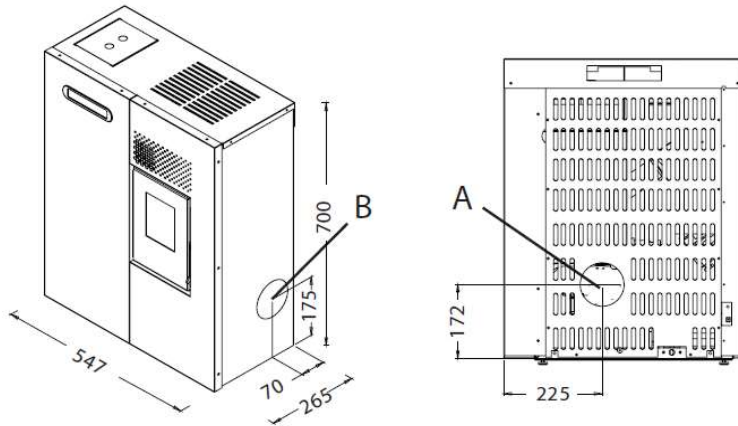


**SCHEDA TECNICA / TECHNICAL SHEET / FICHE TECHNIQUE / FICHA TECNICA /
TECHNISCHES DATENBLATT / TEHNIČNI LIST**

Camilla

Punto Fuoco



EN 14785 : 2006

| | | |
|-----------------------------------------------------------------------------------------------------------------------------------------------------|----|----|
| A = Scarico fumi / Flue Gas Exhaust / Cheminée / Evacuación de humos / Rauchabzug / Odvod dimnih plinov | 80 | mm |
| B = Scarico fumi laterale / Lateral Flue Gas Exhaust / Haut de Fumée / Salida humos lateral / Seitlich Abgasstutzen / Izpuh dimnih plinov ob strani | 80 | mm |

| | | |
|--------------------------------------------------------|------------------------------------------------------------------------------------|-------------------------------------------------------------------------------------|
| Colori / Colours / Couleurs / Colores / Farben / Barve |  |  |
| | Rosso / Red / Rouge / Rojo / Rot / Rdeča | |
| | Avorio / Ivory / Ivoire / Marfel / Elfenbein / Slonokoščena | |

| | | |
|------------------------------------------------------------------------------------------------------------------------------------------------------------------|--------|----|
| Peso / Weight / Poids / Peso / Gewicht / Masa | 34 | Kg |
| Capacità di serbatoio / Reservoir capacity / Capacité du réservoir / Capacidad de depósito / Behältergröße / Prostornina vsebnika | 4,7 | Kg |
| Grandezza ambiente riscaldabile / Heatable room volume / Volume chauffable / Tamaño ambiente a calentar / Beheizbare Raumgröße / Prostornina ogrevanega prostora | 40/100 | mc |

| | MAX | MIN | |
|--------------------------------------------------------------------------------------------------------------------------------------------------|------|------|------|
| Potenza bruciata / Total heat output / Puissance brulé / Potencia consumida / Verbrennungsleistung / Moč izgorevanja | 4,6 | 2,1 | KW |
| Potenza resa in riscaldamento / Nominal heat output / Puissance nominale / Potencia calorífica / Nennleistung / Izhodna moč pri ogrevanju | 4,0 | 2,0 | KW |
| Potenza resa all'acqua / Water heat output / Puissance a l'eau / Potencia calorífica suministrada al agua / Wasserleistung / Izhodna moč za vodo | ---- | ---- | KW |
| Rendimento / Efficiency / Rendement / Rendimiento / Wirkungsgrad / Izkoristek | 89,5 | 93,5 | % |
| Consumo pellet / Pellet consumption / Consommation de pellets / Consumo pellet / Pelletverbrauch / Poraba peletov | 1,0 | 0,5 | Kg/h |

| Emissioni / Emission / émission / Emisión / Emission / Emisije (13 % O ₂) | | | |
|---------------------------------------------------------------------------------------------------------------------------------------|-------|-------|--------------------|
| CO | 0,016 | 0,023 | % |
| | 202 | 286 | mg/Nm ³ |
| PM | 9 | 14 | mg/Nm ³ |
| OGC | 2 | 4 | mg/Nm ³ |
| NO _x | 138 | 160 | mg/Nm ³ |
| Temperatura Fumi / Flue gas Temperature / Temperature des fumees / Temperatura de humos / Abgastemperatur / Temperatura dimnih plinov | 154 | 124 | °C |
| Flusso Gas / Flue gas mass flow rate / Flux gaz combustible / Flujo gas combustible / Brenngasfluss / Pretok plina | 4,1 | 2,3 | g/s |
| Tiraggio Minimo / Fuel draught / Tirage de la cheminee / Tiro de la chimenea / Schornsteinzug / Vlek kamina | 10 | 10 | Pa |

| | | | |
|----------------------------------------------------------------------------------------------------------------------------------------------------------------------------------------------------------------------------------------------------|-----------------------------------------------------|------|----|
| Distanze da pareti infiammabili / Distance to adjacent combustible materials / Distance de securite aux materiaux combustibles / Distancia de materiales combustibles / Mindestabstand zu entflammablen Oberflächen / Min. odmik od gorljivih sten | Lato / Sides / Côté / Lado / Seite / S Strani | 300 | mm |
| | Retro / Rear / Arrière / Detras / Hinten / Zadaj | 40 | mm |
| | Fronte / Front / Avant / Fuente / Frontal / Spređaj | 1000 | mm |

| | | |
|-----------------------------------------------------------------------------------------------------------------------------------------------------------------|----------|--------|
| Tensione-Frequenza / Voltage-Frequency / Tension-Fréquence / Tensión alimentación-Frec. / Nennspannung-Nennfrequenz / Napetost-Frekvenca | 230 / 50 | V / Hz |
| Potenza elettrica / Rated input power / Puissance nominale électrique / Potencia nominal eléctrica / Elektrische Leistungsaufnahme / Električna poraba energije | 320 | W |